

RockSTEADY

TABLE SYSTEM



Stabilising Table Base

Introducing the RockSteady stabilising table base

RockSteady is an innovative table base that eliminates rocking on uneven floor surfaces. Designed for commercial applications such as cafés, bars and restaurants, it is suitable for both indoor and outdoor use. The base incorporates a simple and robust leg system that is easy for staff and customers to operate.

Most floors and pavements are not flat. Traditional table bases require adjustment of the feet or placement of wedges to eliminate rocking. This is time consuming and unhygienic as it must be done by hand.

RockSteady solves this problem with a simple mechanism that the user can adjust with their foot.

RockSteady provides the practical benefit of stability on uneven surfaces. The design is also aesthetically pleasing. Constructed from polished stainless steel, the legs are slender and the overall appearance is unobtrusive and minimal.



On an uneven surface the hinged leg can be rotated sideways with the foot. By rotating right or left the leg rises and descends at a shallow angle until it meets the floor surface. Leg will lock in position.



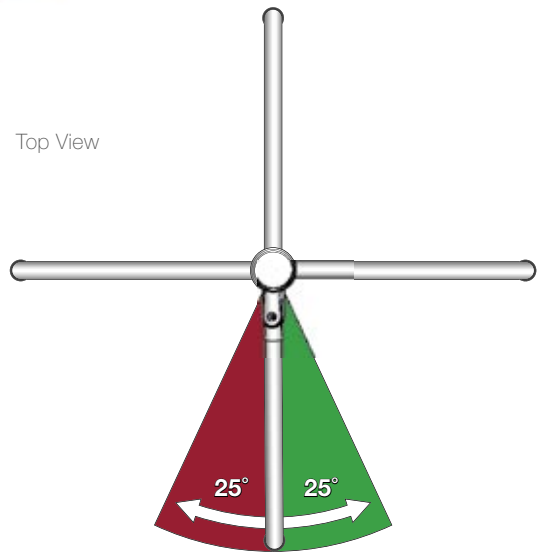
How it works

The RockSteady system is surprisingly simple. One of the four legs is hinged near the centre post and can rotate left or right. Arc travel is limited to 25° from the neutral position.

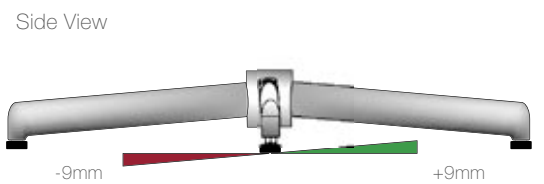
The hinged leg will gradually rise when moved to the right and descend when moved to the left. The user simply taps the leg sideways with their foot until the leg meets the floor surface in a wedging action. The weight of the table locks the leg in position. The hinged leg will return to the neutral position when table is moved or lifted.

Regardless of which direction the table is rocking, moving the hinged leg will result in stability.

Rocking is eliminated.



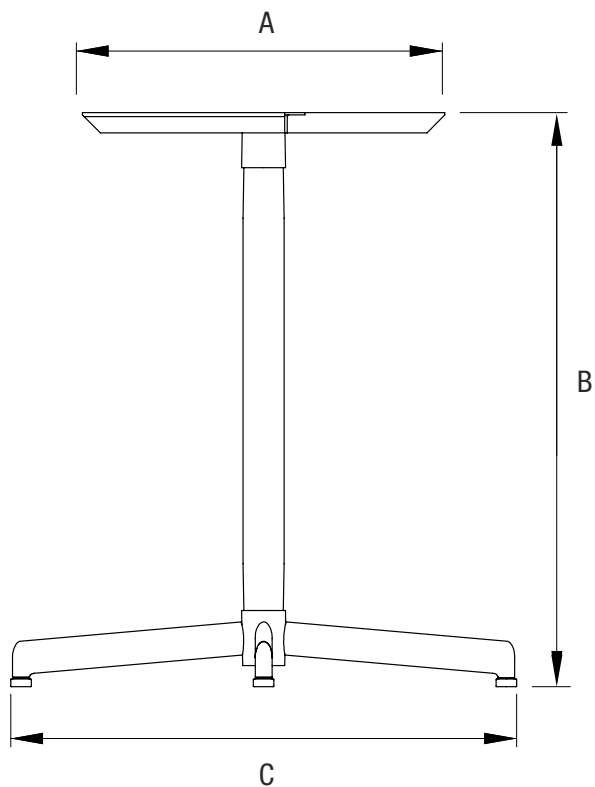
Hinged leg arc travel limited to 25° in each direction.



Total vertical travel is 18mm.



Technical information



MODEL	DIMENSIONS			WEIGHT	MAXIMUM TABLE TOP SIZE		SHIPPING CARTON	
	A	B	C		ROUND	SQUARE	DIMENSIONS	WEIGHT
TB-710-620	45cm	72cm	62cm	4.5kg	76cm	72cm	61 x 52 x 16cm	6.3kg
	18"	28"	24"	10lb	30"	28"	24" x 20.5" x 6.5"	14lbs

echelon

Echelon Products Pty Ltd
 PO Box 1152, Double Bay NSW 1360 Australia
 Tel: 02 9328 5999 Int: +612 93285999
 Fax: 02 9328 5699 Int: +612 93285699

www.echelonproducts.com
info@echelonproducts.com

RockSteady is a patent pending design.
 Location images courtesy of Waterfront Restaurant, Sydney.

Agent: